

## HEZ8585RDC PZF

8.5~85mm 1:1.6

Image Size:  $\frac{1}{2}$   $\frac{1}{3}$

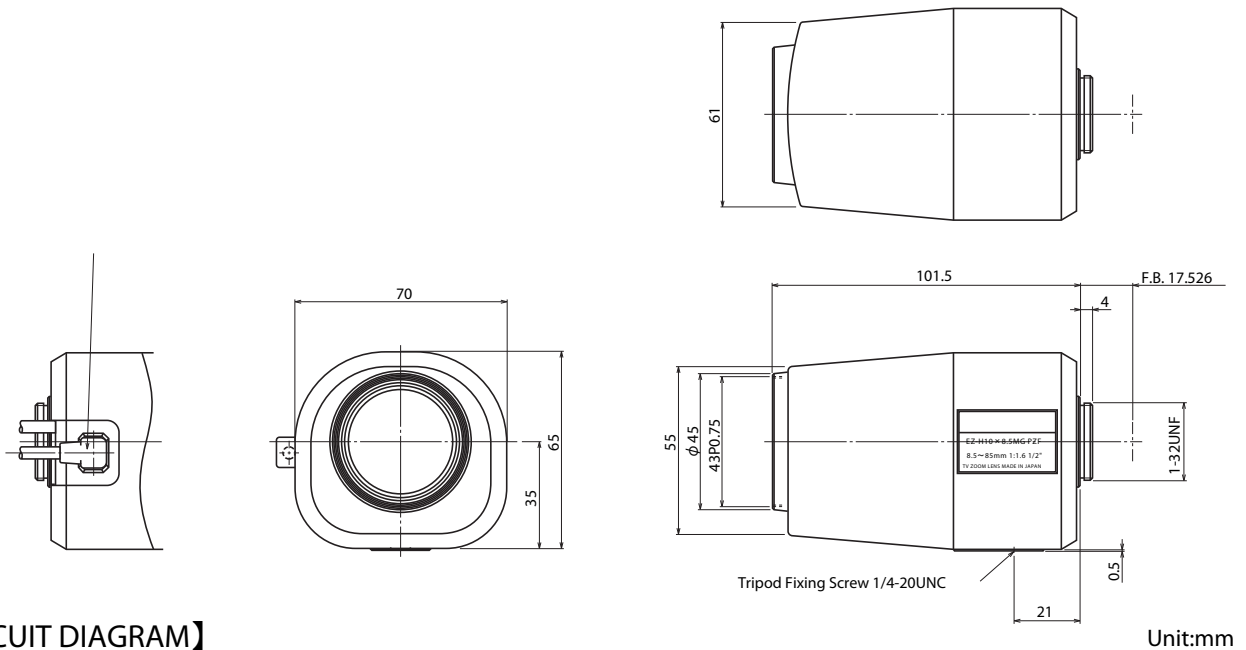
### 【SPECIFICATIONS】

Focal Length :	8.5~85mm	Flange Back :	17.526mm (In Air)
Maximum Relative Aperture :	1:1.6	Operation : Zoom :	Motorized (DC±6.4V, Max40mA) Speed Approx. 6.5sec.
Iris :	F1.6~Approx. 360 (With ND Spot Filter)	Focus :	Motorized (DC±6.4V, Max40mA) Speed Approx. 6.5sec.
Zoom Ratio :	10×	Iris :	IG (Auto Close System) Close→Open : Less than 4.0V Open→Close : More than 0.1V Speed Within 4sec.
Angular Field of View :	41.3° × 31.5° at 8.5mm 4.3° × 3.2° at 85mm	Operation Temperature :	-10~+50°C
Image Format :	6.4 × 4.8mm (φ 8mm)	Mount :	C-Mount (Adjustable Lens Position)
Minimum Object Distance :	1.2m (From Front Vertex)	Front Thread :	43mm P0.75
Object Dimensions at M.O.D. :	86.5 × 64.9cm at 8.5mm 8.6 × 6.5cm at 85mm	Size, Weight :	70 × 65 × 101.5mm, Approx. 275 g
Optical Back Focal Distance :	15.56mm (In Air)		

### 【COMPOSITION】

- Lens . . . . . 1
- Lens Cap . . . . . 1
- Dust Cap . . . . . 1

### 【DIMENSIONS】



### 【CIRCUIT DIAGRAM】

